




Q-Rainbow RGBX

Linear LED

Quick Start Guide

2000k-6000k Crossfade White Light
with RGB Color Mixing (RGBX)
Wireless by  lumenradio
DMX over Cat5
Manual Interface with OLED Screen
Universal AC Power 90v-256v
DC Battery Option 10v-26v
Lead / Follow Mode
On Board Effects
Lengths: 2' 4' 8'

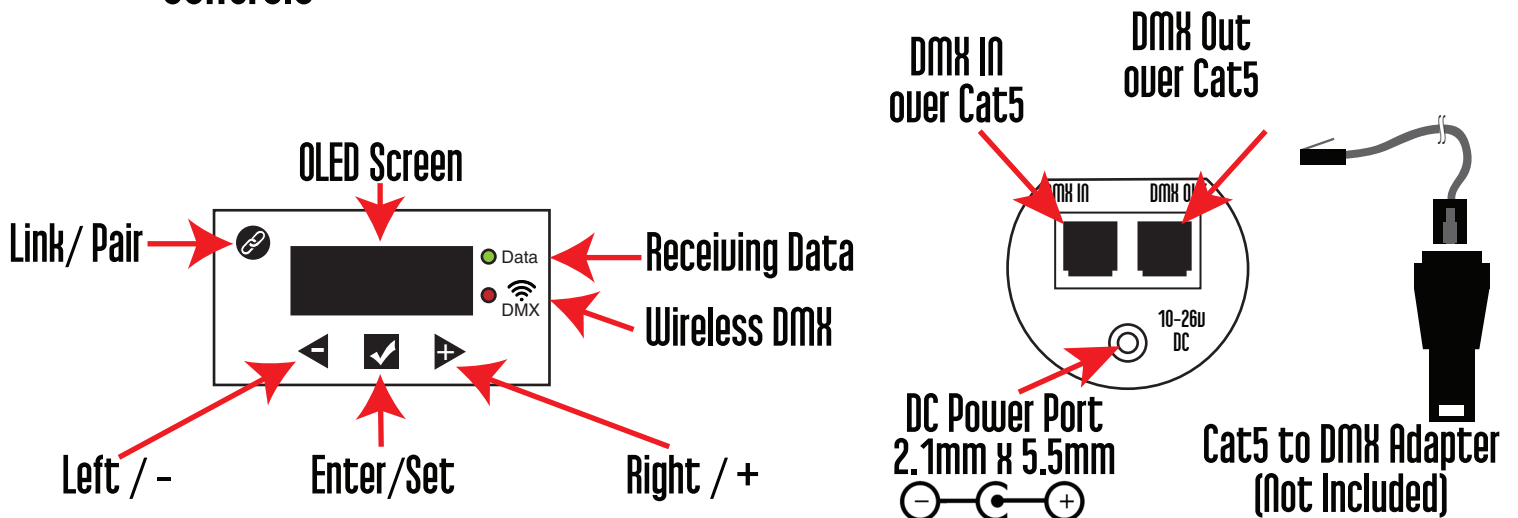


Download Full Manual at
QUASARSCIENCE.COM/RAINBOW

Rainbow Layout



Controls



Rainbow Layout Getting Started

Q-Rainbow RGBX Linear LED

- ✓ To Set the Intensity, Color Temp, +/- Green, Saturation and Hue:
 - Press the ◀ Left or ▶ Right arrows until desired function is selected.
 - Press ✓ Enter to Select.
 - The selection carrots > < will move from the >Function< to the >Value<
 - Press the ◀ or ▶ buttons to set the value. Press ✓ Enter to Save.

> Intensity <
100%

Intensity
> 100% <

Intensity
> 99% <

- 🔗 To Link a Rainbow lamp to a transmitter,
 - Go to Config->Wireless, Set to ON, Config->Status Lights to ON
 - If the Wireless DMX is flashing, press and hold the 🔗 Link button to Unpair.
 - On the DMX Transmitter, tap the Link button to Pair.
 - The Wireless DMX Light will start to Flash and turn solid once paired.

Main Menu - Manual Mode

- > Intensity 0 to 100%
- > Color Temp 2000k to 6000k by 100k increments
- > CT Preset 3200-4000-5000-5600-6000-2000-2800
- > Saturation 0 to 100%
- > Hue 0° to 360°
- > +/- Green 100M to 0G to 100G
- > Color Preset Blue-Cyan-Green-Red-Yellow-Orange-Magenta
- > Effects Rainbow-Short Circuit-Paparazzi-Fire1-Fire2-Fire3-Coplight1-Coplight2-Demo
- > Config DMX Address-DMX Profile-Lead/Follow/Wireless On/Off-StatusLights On/Off
-FirmwareVersion-Lamp Hours-Reset to Default-BACK to Main Menu

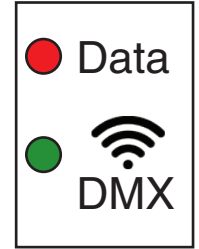
Config Menu

- > DMX Address 001 to 508 (Does not allow address to be outside of 512)
- > Profile 1:HSIC-8 bit, 2:HSIC-16 bit, 3:HSI-8 bit, 4: XFade with CC-8 bit, 5: XFade-8 bit, -6: CCT & RGB-8 bit, 7: CCT & RGB-16 bit, 8: RGB-8 bit
- > Lead /Follow Lead-Follow1-Follow2-Follow3-Follow4-Follow5
- > Wireless On/Off - Disables the wireless transceiver
- > Status Lights On/Off - Turns off the status lights for use on camera
- > Firmware Displays the Firmware Version on the Lamp
- > Lamp Hours Displays the Hours the lamp has been powered on
- > Reset to Default Sets the lamp back to all its default values

Rainbow Layout Status Lights

- Solid Green Light - Lamp is paired and receiving transmission.
- Slow Flashing Green Light - Wireless DMX is paired but transmitter not found.
- Fast Flashing Green Light - Wireless DMX is in pairing.
- No Green Light - Lamp is Unpaired or Wireless/Status Lights are turned off.
- Solid Red Light - Data Received
- No Red Light - No Data Received or Wireless/Status Lights are turned off.

Q-Rainbow RGBX Linear LED

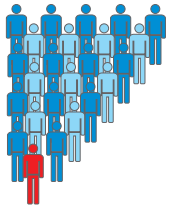


Manual Button Shortcuts

On parameter menus such as intensity, saturation, and hue, when pressing and holding the button to increase the value, tap the button will jump to the next value or max value. The opposite is true when decreasing.

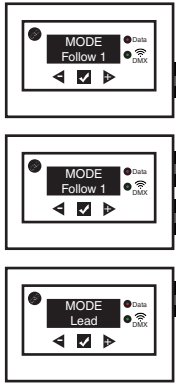
Press and hold the Enter for 5 seconds to disable the status lights.

Press and hold for 3 seconds to Reset the Rainbow to Default settings.



Lead/Follow Mode

Lead/Follow Mode allows one Rainbow lamp to control many lamps at once. The Lead transmits DMX data wired or wirelessly to the followers. When the Lead changes levels, the follows will change as well. Applies to on board FX as well.



To Lead/Follow Mode, go to Config->Lead/Follow. Set the Leader to Lead and set all of the Followers to Follow 1 to match the leader. Follow 2-6 is used with effects to do the same effect with different timings.

To use wired, plug Cat5 cable into the Out of the Lead into the In of the Follow. Repeat out of the follow and into the next. The data light should be illuminated on all the followers

To use wirelessly, on the Follows, press and hold the Link button to Unpair the lamp. Next tap the Link button on the Lead. All of the follows Wireless signal light should begin flashing and then remain solid.

Effects

Effect	Result
Rainbow	Scroll through the Hue from 0° at full Saturation
Short Circuit	Lamp is on with random bursts of turning off
Paparazzi	Lamp is off with random flashes of turning on
Fire 1	A flicker effect with a low weighted center
Fire 2	A flicker effect with a middle weighted center
Fire 3	A flicker effect with a high weighted center
Cop Light 1	Solid Red and Blue alternating colors
Cop Light 2	3 Flashes Red, 3 Flashes Blue alternating colors
Demo	Scroll through the Hue from 0° at 0%, 25%, 50%, 75% and 100% Saturation at 2000k and 6000k

Manual Effect Controls

Effect	Result
Effect	Choose Effect
Rate	0-200% for the speed of the effect 100% is normal speed
Maximum	Highest intensity level of effect
Minimum	Lowest intensity level of effect

DMX Profiles

#	Name	8/16	# of Chan	Channels
1	HSIC	8 Bit	5	1:Intensity 2: Color Temp 3: +/- Green Control 4:Hue 5:Saturation
2	HSIC-16	16 Bit	7	1+2:Intensity 3: Color Temp 4: +/- Green Control 5+6:Hue 7:Saturation
3	HSI	8 Bit	3	1:Intensity 2: Hue 3:Saturation
4	XFade with +/-G	8 Bit	3	1:Intensity 2: Color Temp 3: +/- Green Control
5	XFade	8 Bit	2	1:Intensity 2: Color Temp
6	CCT & RGB	8 Bit	7	1:Intensity 2: Color Temp 3: +/- Green Control 4:Crossfade 5:Red 6:Green 7:Blue
7	CCT & RGB-16	16 Bit	9	1+2:Intensity 3: Color Temp 4: +/- Green Control 5+6:Crossfade 7:Red 8:Green 9:Blue
8	RGB	8 Bit	3	8: RGB – 8 bit – 3 Channels 1:Red 2:Green 3:Blue

Download Complete DMX Chart at QuasarScience.com/Rainbow

DMX Profiles (FX)

#	Name	8/16	# of Chan	Channels
9	HSIC FX	8 Bit	8	1:Intensity 2: Color Temp 3: +/- Green Control 4:Hue 5:Saturation 6: FX 7:FX Rate 8:FX Size
10	HSIC-FX-16	16 Bit	10	1+2:Intensity 3: Color Temp 4: +/- Green Control 5+6:Hue 7:Saturation 8: FX 9:FX Rate 10:FX Size
11	CCT & RGB-FX	8 Bit	10	1:Intensity 2: Color Temp 3: +/- Green Control 4:Crossfade 5:Red 6:Green 7:Blue 8: FX 9:FX Rate 10:FX Size
12	CCT & RGB -16 FX	16 Bit	12	1+2:Intensity 3: Color Temp 4: +/- Green Control 5+6:Crossfade 7:Red 8:Green 9:Blue 10: FX 11:FX Rate 12:FX Size

DMX Parameters

Parameter	DMX Value	Value
Intensity	0-255	0-100%
Color Temp	0-255	2000k-6000k
+/- Green		See Chart at right
Crossfade	0-255	0-100%
Hue	0-255	0°-360°
Saturation	0-255	0-100%
Red	0-255	0-100%
Green	0-255	0-100%
Blue	0-255	0-100%

+/- Green

DMX Value	%	Effect
0-10	0-4	No Effect
11-20	5-8	Full Minus Green
21-119	8-46	-99% to -1%
120-145	47-57	No Effect
146-244	57-96	1% to 99%
245-255	96-100	Full Plus Green

Rainbow Layout DMX Effects Parameters

Effect	DMX Value	Percentage
OFF	0-20	0-8
Rainbow	21-30	9-12
Short Circuit	31-40	13-15
Paparazzi	41-50	16-20
Fire 1	51-60	21-23
Fire 2	61-70	24-27
Fire 3	71-80	28-31
Cop Light 1	81-90	32-35
Cop Light 2	91-100	36-39
Demo	101-110	40-43
No Effect	111-255	44-100

Q-Rainbow RGBX Linear LED

DMX Effect Controls

Effect	Result
Effect	Choose Effect
Rate	0-200% for the speed of the effect 100% is standard
Size	-100 to 100%. It is the plus and minus variation of Intensity. Ex. Intensity 50% with Size of 10 will be an effect from 40% to 60%

Specifications:

Q25R

Model:	Q25WRGBX
Wattage:	Max 25 watts
Weight:	1.65 lbs (0.75 kg)
Dimensions:	23.6 x 1.75 in (600 x 44.5 mm)
Power Consumption:	120v = 0.22 amp 240v = 0.11 amp 12v = 1.90 amp 24v = 0.95 amp

Q50R

Model:	Q50WRGBX
Wattage:	Max 50 watts
Weight:	2.53 lbs (1.15 kg)
Dimensions:	47.4 x 1.75 in (1200 x 44.5 mm)
Power Consumption:	120v = 0.44 amp 240v = 0.22 amp 12v = 3.80 amp 24v = 1.90 amp

Q100R

Model:	Q100WRGBX
Wattage:	Max 100 watts
Weight:	4.40 lbs (2.0 kg)
Dimensions:	94.5 x 1.75 in (2400 x 44.5 mm)
Power Consumption:	120v = 0.88 amp 240v = 0.44 amp 12v = 7.60 amp 24v = 3.80 amp

3 Year warranty from date of purchase.
Customer must provide proof of purchase.
This warranty is transferable.

Quasar Science will pay for:
The replacement parts, repair and/or labor costs to correct defects in materials and workmanship.
Service must be provided by Quasar Science or an Authorized Quasar Science Service Center

Quasar Science will not pay for:
Damage resulting from accident, misuse or abuse. Acts of God. Any failure that occurs for any other reason than materials and workmanship. Any shipping or handling costs.

Disclaimer of implied warranties / limitations of remedies:
Implied warranties, including the extent applicable warranties of merchantability or fitness for a particular purpose are excluded to the extent legally permissible. Any implied warranties that may be imposed by law are limited to 3 years or the shortest period allowed by law. Some states, provinces or countries do not allow limitations or exclusions on how long an implied warranty of merchantability or fitness lasts, the above limitations or exclusions may not apply to you.

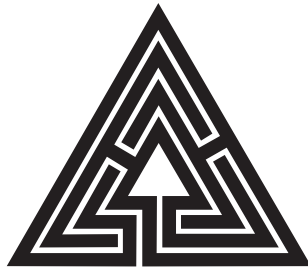
If this product fails to work as warranted, customer's sole and exclusive remedy shall be repair or replacement according to the terms of this limited warranty. Quasar Science, LLC does not assume any responsibility for incidental or consequential damages. This warranty gives you specific legal rights and you may also have other rights which vary from state to state, province to province or country to country.



Please do not return your Rainbow to your retailer.

Please contact Quasar Science with any questions, problems or concerns.

This manual is current to software Firmware Version 0.90. Please check at QuasarScience.com/Rainbow to see if there are Firmware updates available with an updated downloadable Quick Start Guide.



QUASAR SCIENCE (800) 876-0665

687 S. Anderson St.

Los Angeles, CA 90023

info@quasarscience.com

Download Full Manual at QUASARSCIENCE.COM/RAINBOW